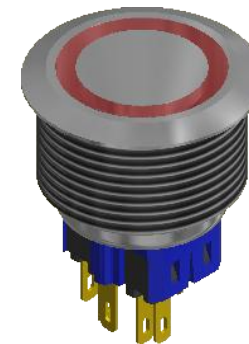
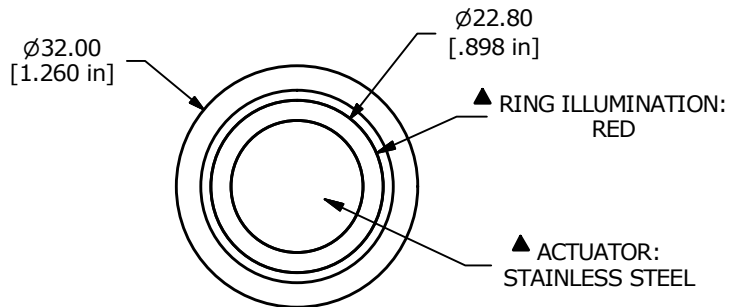
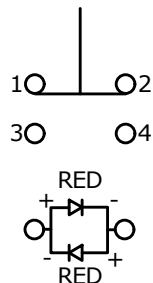


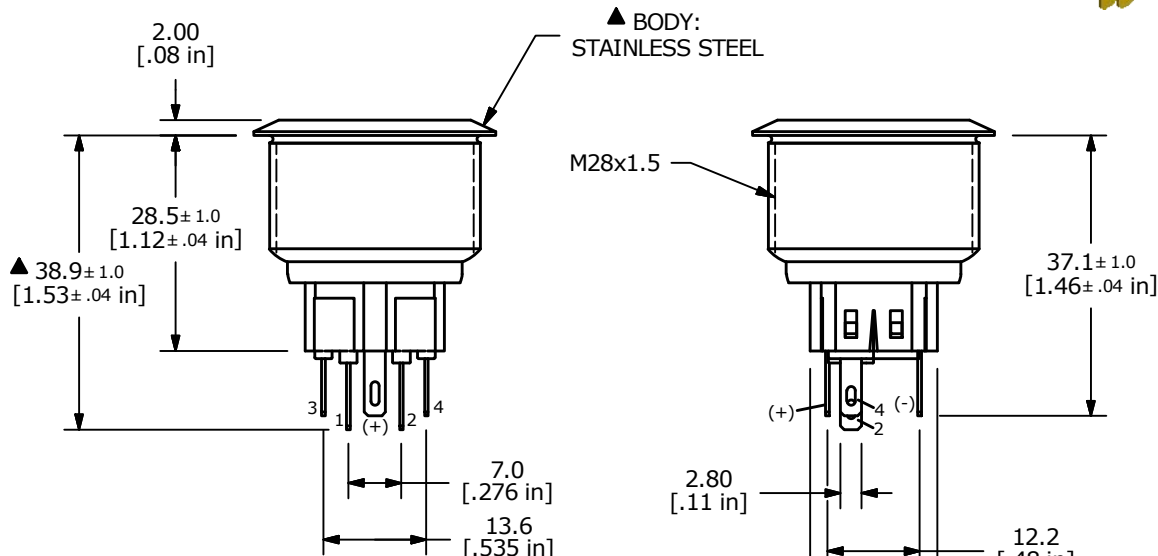
PANEL CUTOUT  
MAX. PANEL THICKNESS 10mm



SWITCH FUNCTION	
POS. 1	POS. 2
1-2	3-4

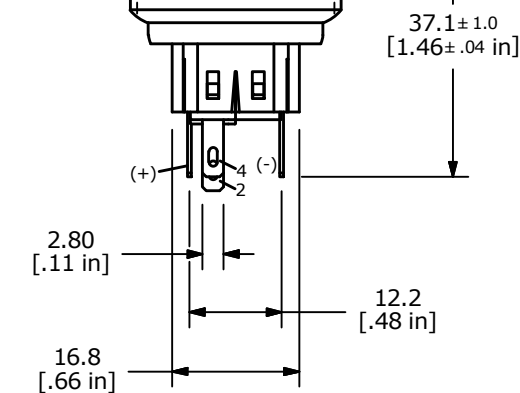


▲ SPDT ON-(OFF)/OFF-(ON)  
CONTACT CONFIGURATION  
(.) DENOTES MOMENTARY FUNCTION



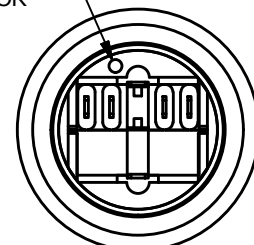
▲ BODY:  
STAINLESS STEEL

M28x1.5



▲ 38.9±1.0 [1.53±.04 in]

DOT DENOTES LED COLOR



- NOTE:
1. ALL DIMENSIONS IN MM [INCH]
  2. GENERAL TOLERANCE: X.X = ± 0.4  
X.XX = ± 0.25
  3. TERMINAL NOS. FOR REF. ONLY
  4. RATING: 2A @ 48VDC
  5. CONTACT RESISTANCE: 50mΩ MAX. @ 1A 12VDC
  6. INSULATION RESISTANCE: 1,000MΩ @ 500VDC
  7. DIELECTRIC STRENGTH: 2,000VAC MIN. FOR 1 MINUTE
  8. ELECTRICAL LIFE: 50,000 CYCLES
  9. OPERATING TEMPERATURE: -20°C TO 55°C
  10. INGRESS PROTECTION: IP66
  11. SUPPLIED HARDWARE: O-RING AND HEXNUT
  12. ▲ DENOTES CRITICAL PARAMETER
  - ▲ 13. ILLUMINATION COLOR: RED (FORWARD), RED (REVERSE)
  - ▲ 14. ILLUMINATION VOLTAGE: 24V



REV	PCR NO	DESCRIPTION	DATE	BY
B	23840	UPDATED RATING TO IP66	4/8/19	MJR
A	21898	RELEASE FOR PRODUCTION	7/1/15	MW

TITLE PV9F2Y0SS-315				
SCALE 1:1	DATE 7/1/2015	DR MW	DWG 52-PV9F2Y0SS315	REV B